

Bag Filter Housing

Features:

- All CPVC, PP, PVDF Materials
- High Flow Rates
- IR/Butt Fusion PP, PVDF
- Side Entry
- Shown with Pressure Gauge (optional)

Applications:

- High Purity Water
- Electroless Nickel Plating
- Plating Baths
- Rinse Tanks
- Bulk Chemical Filtration
- Wet Processing
- IPA Pre-Wetting



8CBK-10A-F 1.5 (Optional F flange)

The Bag Housings are designed for flow rates up to 120GPM, while handling the most stringent applications. All facets of the design and manufacturing process of this product have been focused on the user being able to achieve ease in serving. The construction materials are CPVC, PVDF or Polypropylene. The process, and vent valve connections have been constructed utilizing the latest technology in welding (IR/Butt Fusion) pure unpigmented Polypro and PVDF.

Series CBK

Specifications:

Material: PVDF, PP or CPVC

Max Pressure (PSI): 70 PSI (4.93Kg/Cm2)

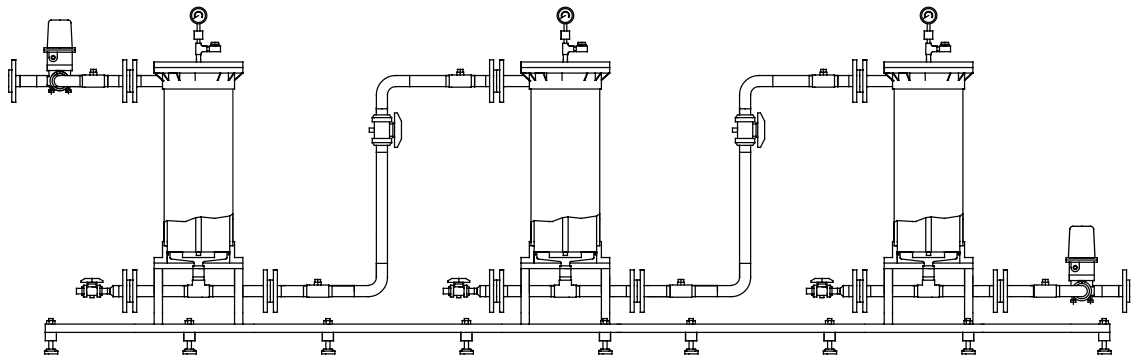
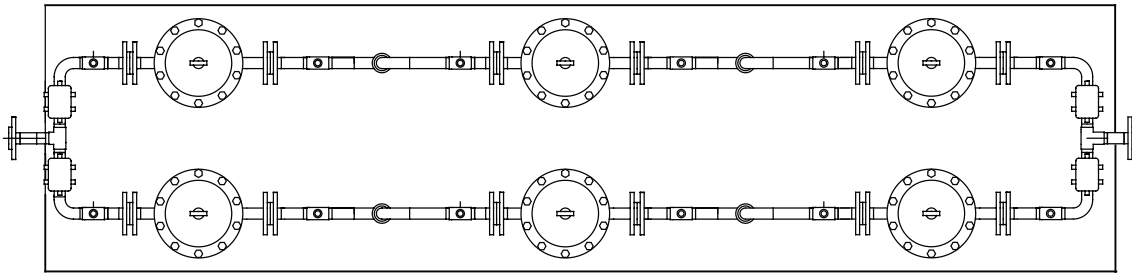
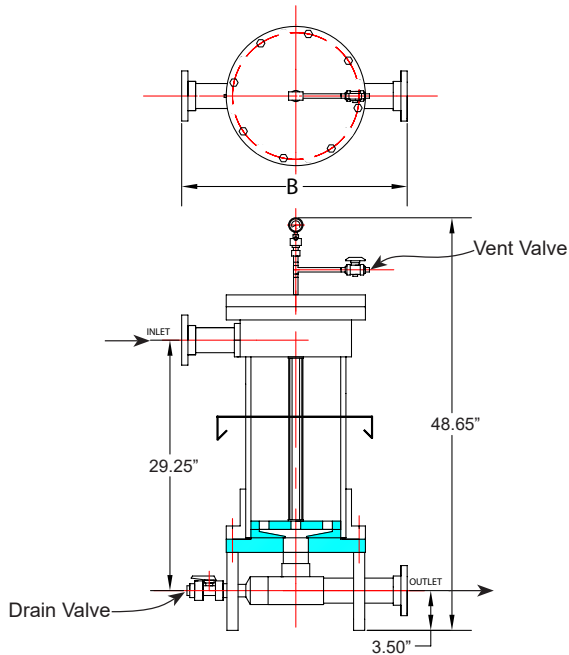
Bag Type

Seals: Viton, EPR or FEP Encapsulated Viton

Max Temperature: 260°F (121.5C) PVDF

NOMENCLATURE

Chamber Diameter	Chamber Series	Chamber Material	SE	Port Size
8" = 8" Dia	CBK - 10	A=CPVC		1.0
	CBK - 15	B=Polypropylene		1.5
		C=PVDF		2.0



The process, drain and vent valve connections have been constructed utilizing the latest technology in welding (IR/Butt Fusion).

Our engineering staff is friendly and willing to solve problems that others have abandoned. We offer complete filtration systems,