

## Penguin

### Extended & High Flow Vertical Pump



Model PX-HF



Model P-HF

#### Features:

- **Easy Installation**
- **Chemical Resistant**
- **Extended Pump Lengths**
- **Corrosion Resistant Epoxy Paint**
- **Six Foot Cord with Grounded Plug on Single Phase, 115V Models**
- **Positive Displacement Air Purge Vent**

#### Recommended Applications:

- **Plating**
- **Etching**
- **Filtering**
- **Wet Processing**
- **Waste Treatment**
- **Wet Fume Scrubbing**
- **Transfer/Recirculation Pumping**

Our new Penguin extended vertical immersible pumps are simple in design, efficient in performance, and self-priming when immersed in solution. Constructed completely of CPVC with PTFE wear ring, or CPVC with PVDF impeller where in contact with the solution, this pump is suitable for pumping, agitating, filtering, or circulating acid and alkaline solutions, abrasive fluids, and other corrosive solutions up to 180 degrees F maximum temperature.

Standard motors are three phase and totally enclosed fan cooled, with two part epoxy coating for additional corrosion resistance. A rigid, solid stainless steel rotor/drive shaft with an oversized bearing is employed to minimize shaft alignment problems, while allowing for quick and easy bearing replacement when required. The three phase motors are shipped unwired. A standard air purge/vent screw assembly in the bottom motor housing extends the life of the bottom motor bearing when utilizing minimal 5 psi air to create a positive displacement. An optional ceramic sealing sleeve is available for added corrosion resistance in preventing fumes and condensables from contacting the metallic shaft or impeller insert.

Penguin vertical pumps are versatile, easy to install, and require a minimal amount of tank space, thus saving valuable floor space.

# Series P-HF

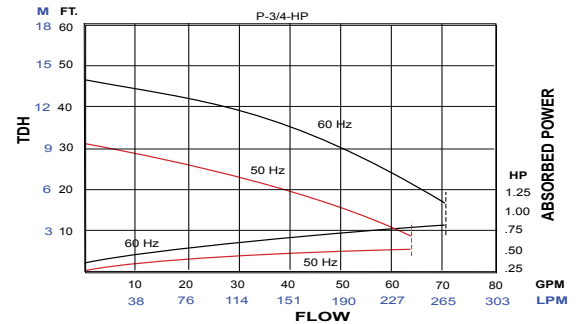
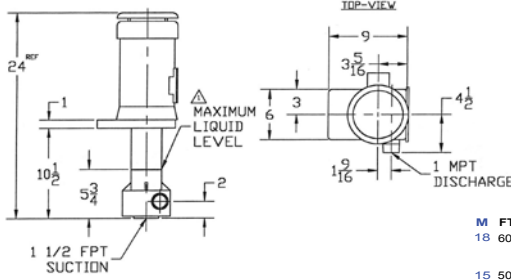
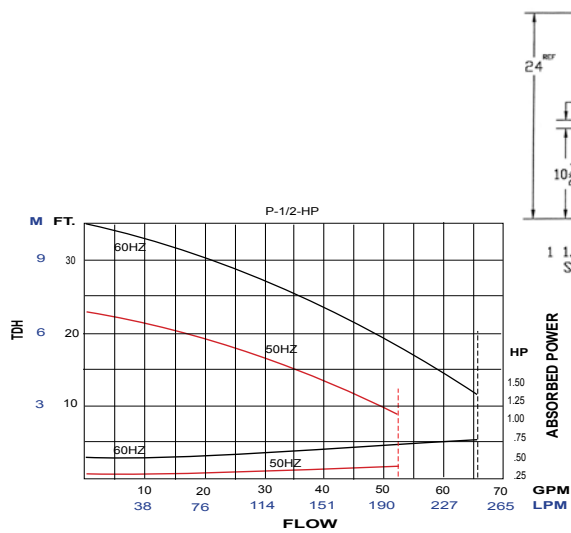
## Specifications

Model	Max Flow 60HZ (GPM)	Max Head 60HZ (TDH)	Max Flow 50HZ (GPM)	Max Head 50HZ (TDH)	Motor						Dimensions			
					HP	RPM	Volts	Hertz	Phase	Amps	Ht	Wth	Lth	Wt
P-1/2 HF	66	35	53.5	23.5	1/2	3450 2850	115/230	60	1	7.8/3.9				45
								60/50		6.4/3.2				
								3		1.9-1.8/9				
P-3/4 HF	78.5	46	63.5	31	3/4	115/230	60	1	9.8/4.9					47
							60/50		10/5					
							3		2.7-2.6/1.3					
P-7 1/2-HF	300	110	300	95	7 1/2	3450	208-230/460	50/60	3	19-18/9	25	36	48	300
P-10-HF	350	143	350	113	10					27-25/12.5				310
P-15-HF	419	163	N/A	N/A	15					38-35/17.5				320

P-1/2-HF

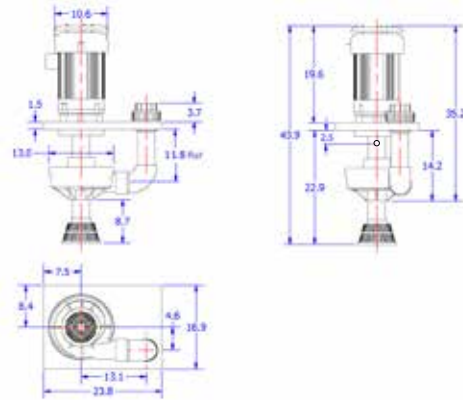
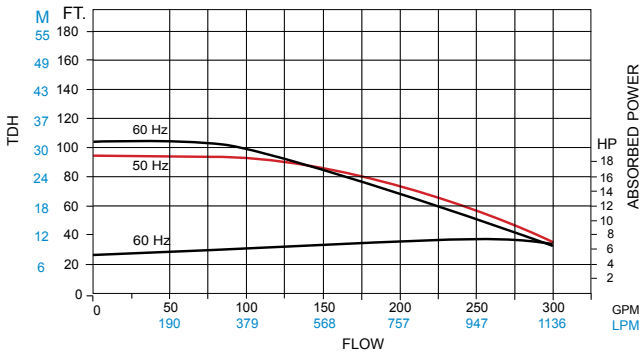
P-1/2-HF & P-3/4-HF Dims

P-3/4-HF



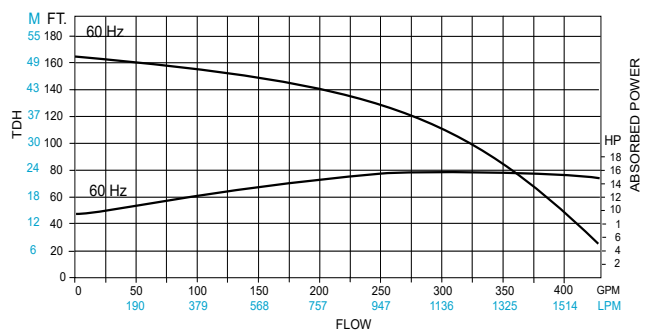
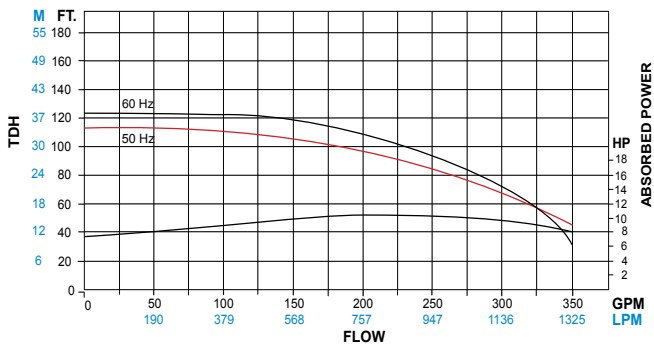
P-7 1/2-HF

P-7 1/2-HF, P-10-HF & P-15-HF Dims



P-10-HF

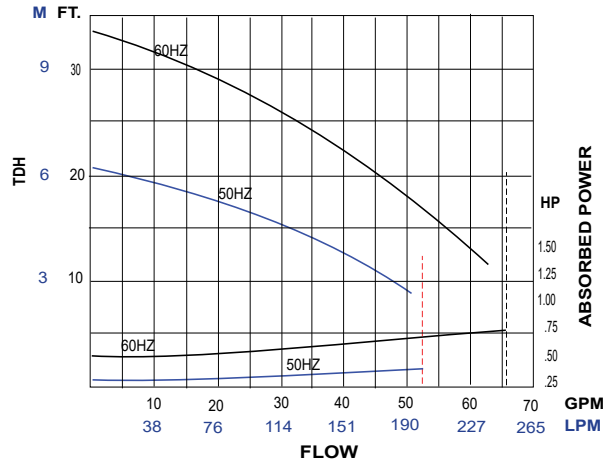
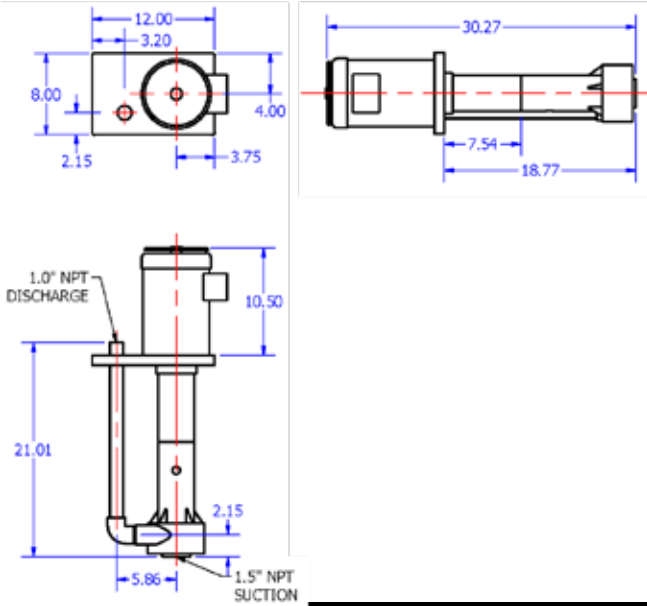
P-15-HF



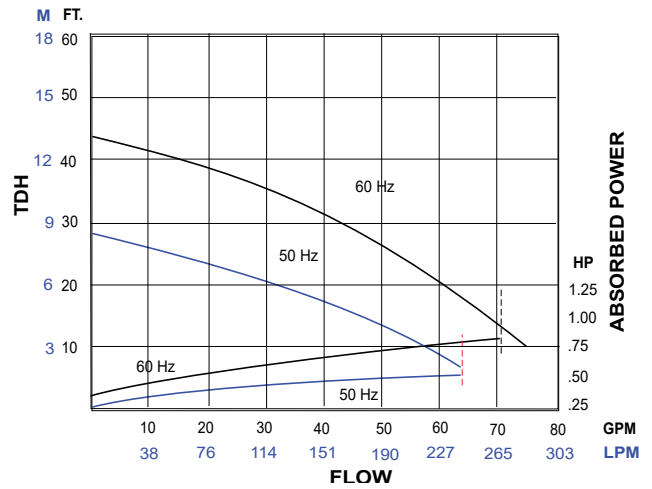
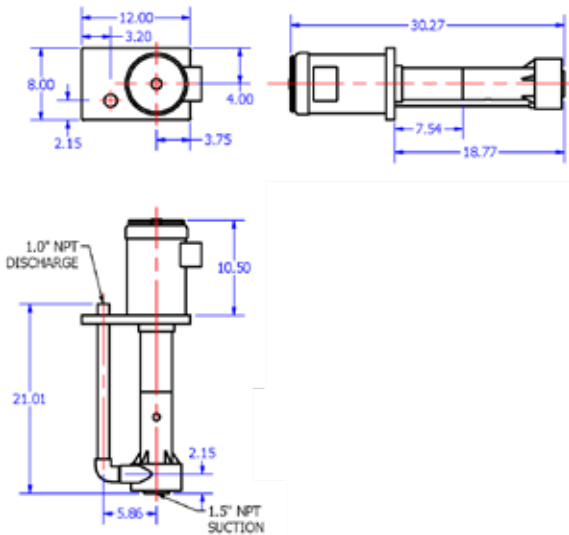
# Series PX

Performance Data Based On Ambient Water, Specific Gravity 1.0

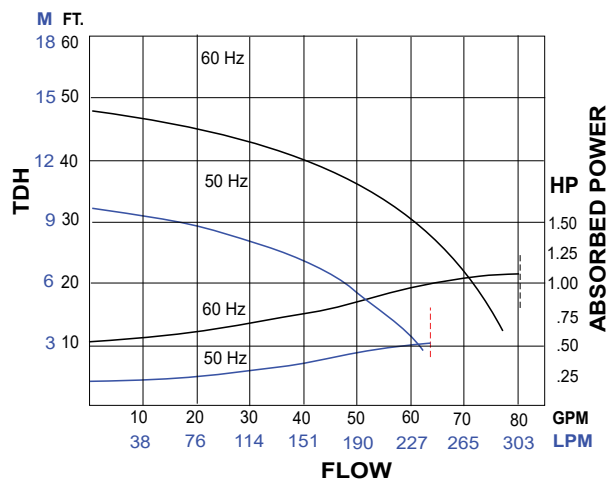
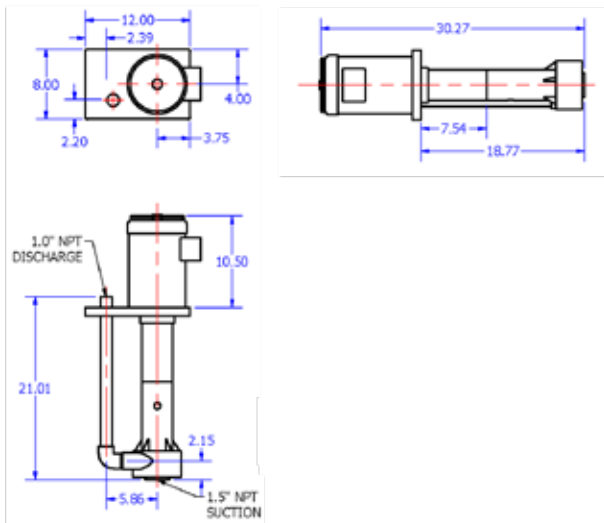
## PX-1/2A-HF



## PX-3/4A-HF



## PX-1

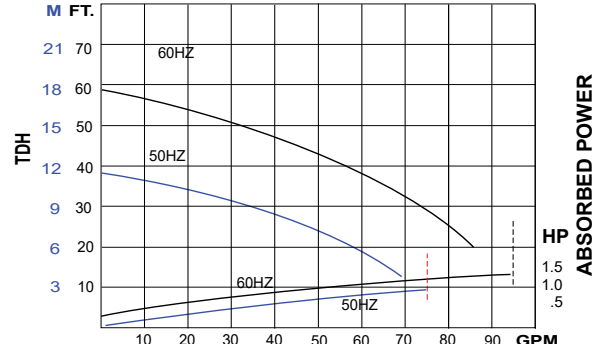
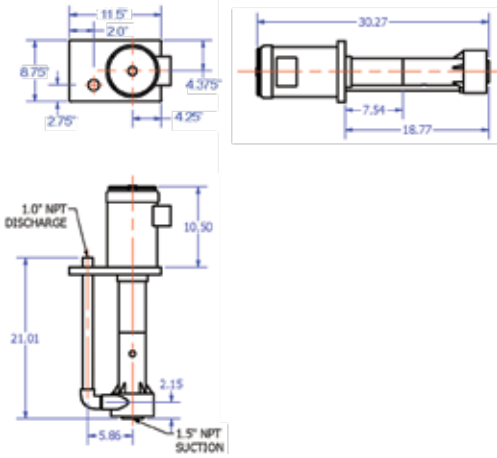


# Series PX

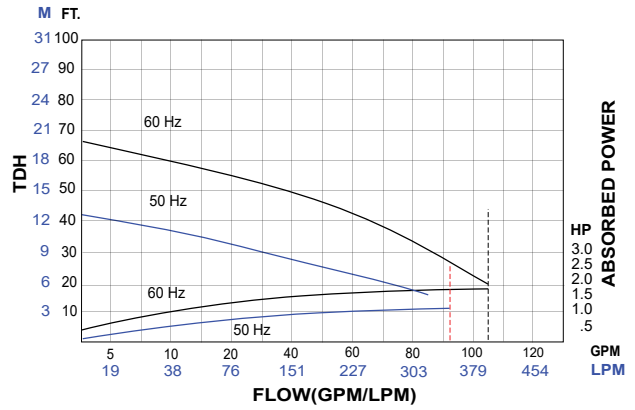
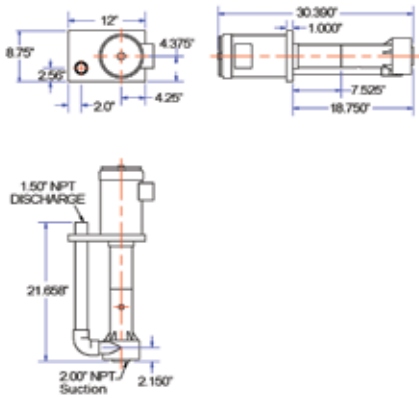
Performance Data Based On Ambient Water, Specific Gravity 1.0

## PX-1 1/2

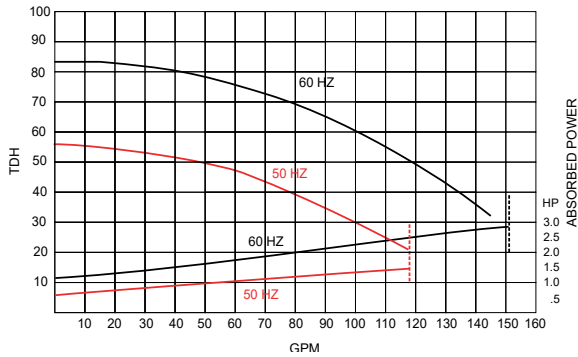
WDLM-1(E;)2-FilterPump1-Bulletine-All-FPI12-Pumps12-PX-ExtendedVertPump-216/Grafts-new11-21-06



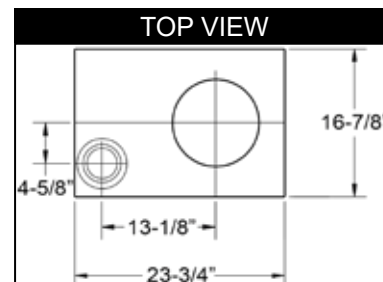
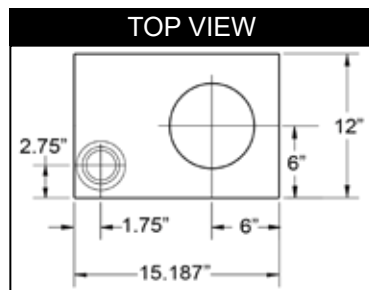
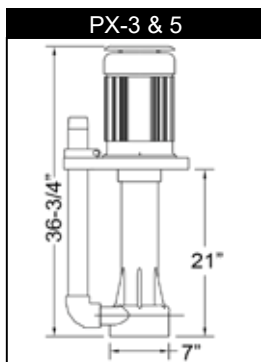
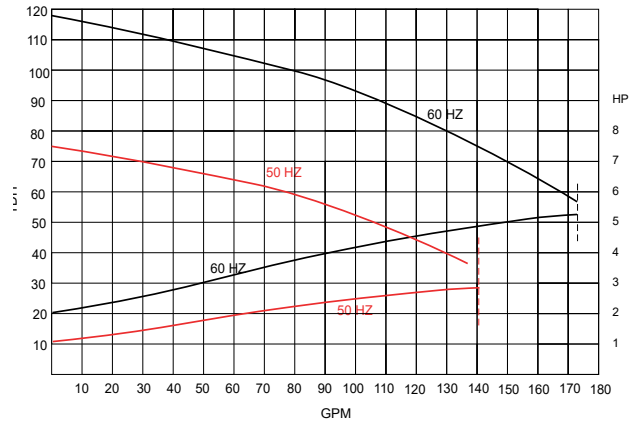
## PX-2



## PX-3



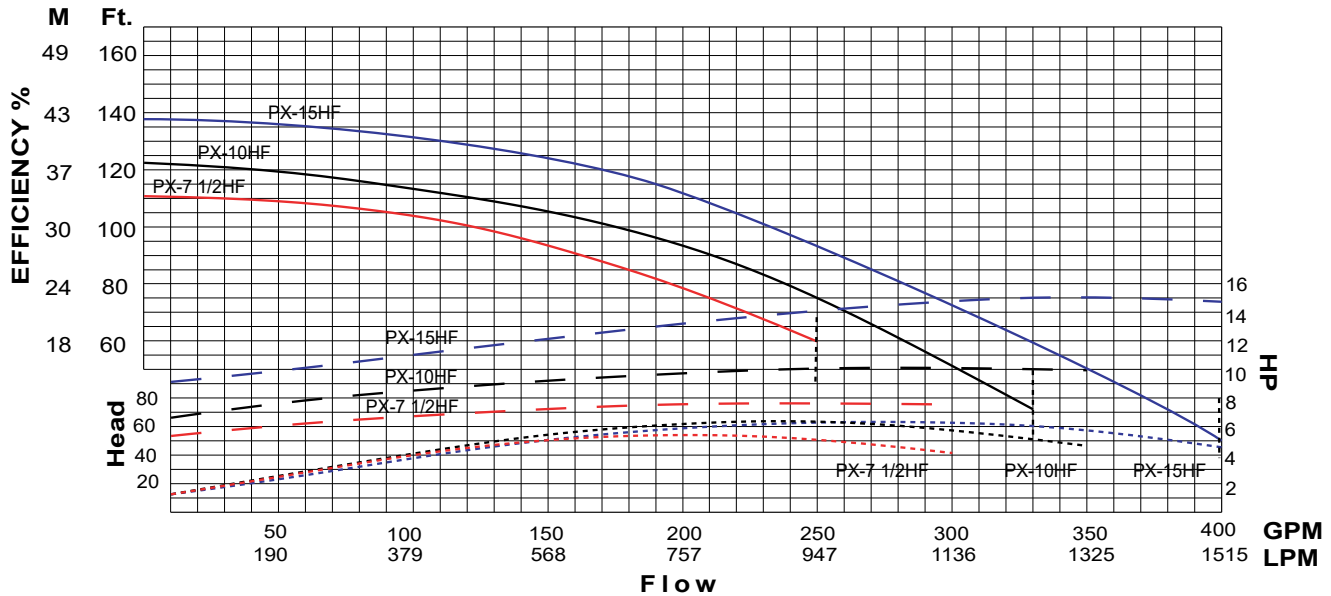
## PX-5



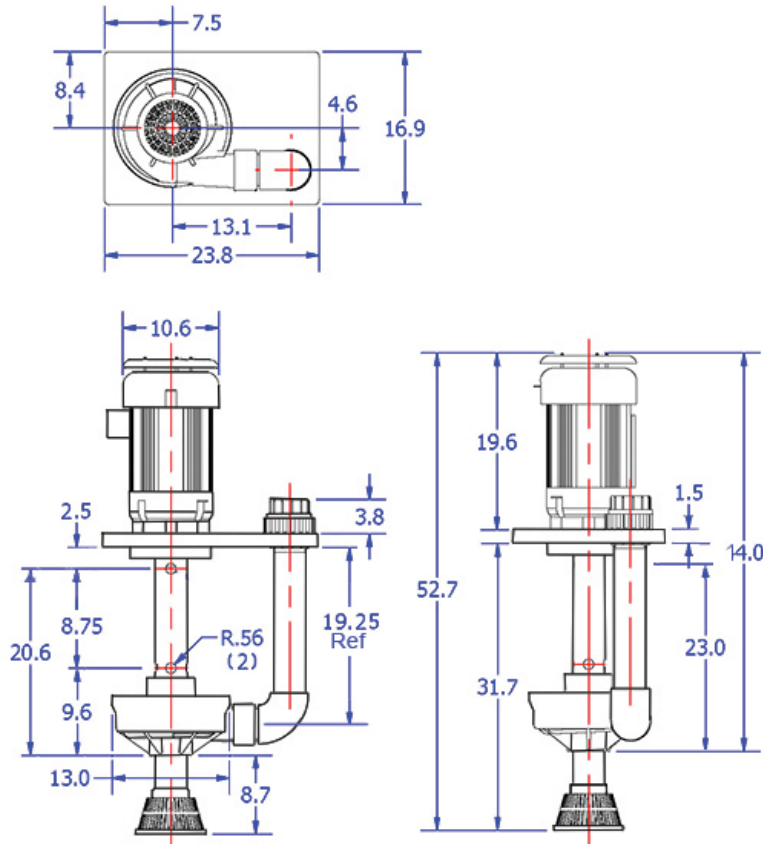
# Series PX-HF

## PX-7 1/2HF, 10HF & 15HF PERFORMANCE CHART

Data Based on Ambient Water, Specific Gravity 1.0. With 4" Discharge Piping @ 60 Hz (3450 RPM)



## PX-7 1/2HF, 10HF & 15HF DIMENSIONS



# Series PX

## Penguin Vertical Pump

Specifications										
Part No.	Max Flow 60HZ (GPH) 50HZ (GPM)	Max Head 60HZ (FT)/ 50HZ (FT)	Suction	Discharge	Horse Power	Phase	Motor Volts	Hertz	AMPS	RPM
PX-1/2-HF	66	35	1 1/2" FPT	1" MPT	1/2	1	115/230	60	7.8/3.9 6.4/3.2	3450/2850
	55	24							1.9-1.8/9	3450/2850
PX-3/4-HF	70	46	1 1/2" FPT	1" MPT	3/4	1	115/230	60	9.8/4.9 10/5	3450/2850
	58	31							2.7-2.6/1.3	3450/2850
PX-1	74	52	1 1/2" FPT	1" MPT	1	3	115/230	60	11/5.5 12.8/6.4	3450/2850
	61	36							3.4-3.2/1.6	3450/2850
PX-1-1/2	82	62	1 1/2" FPT	1" MPT	1.5	1	115/230	60/50	17.8/8.9	3450/2850
	68	42							4.9-4.6/2.3	3450/2850
PX-2	112	69	2" FPT	1 1/2" MPT	2	3	208- 230/460	60/50	5.8-5.4/2.7	3450/2850
	93	47								
PX-3	135	88	2" FPT	1 1/2" MPT	3	3	208- 230/460	50/60	8.2-7.8/3.9	3450
	120	56							12.2-11.6/5.8	
PX-5	172	120	2" FPT	1 1/2" MPT	5	3	208- 230/460	50/60	21-19/19.5	3450
	140	80							27-25/12.5	
PX-7 1/2HF	250	115	3" FPT	3" FPT	7 1/2	3	208- 230/460	50/60	44-40/20	3450
PX-10-HF	325	125			10				27-25/12.5	
PX-15-HF	400	145			15				44-40/20	

Nomenclature				
X	3	A	C	HP
Penguin Vertical Extended Pump	Horsepower	Construction Material/ O-Ring Elastomer Material	Impeller Material Construction	Impeller/Housing Construction
P	.5=1/2	A=CPVC/EPR	None=Standard	NONE=standard
PX	.75=3/4		C = PVDF	HF=HF
	1=1			
	1.5=1 1/2			
	2=2			
	3=3			
	5=5			
	7-1/2=7-1/2			
	10=10HF			
	15=15HF			