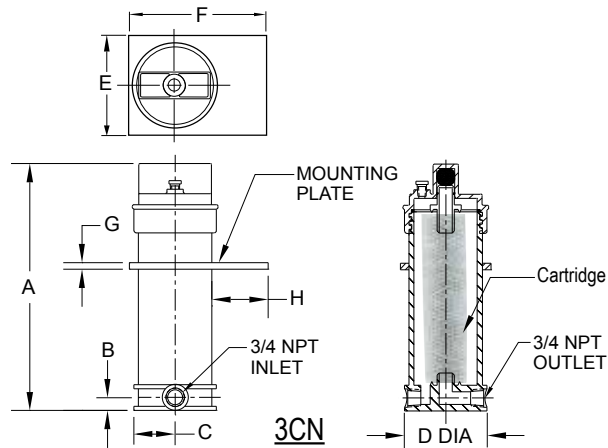


In-Tank CHAMBERS SERIES CN

The Penguin model 3CN/4CN in-tank chambers incorporate our standard features at the top of the chamber with a schedule 80, 6" half coupling securing everything at the bottom. CN corrosion resistant filter chambers are recommended for a wide range of acidic or alkaline solutions. Three standard materials of construction where in direct solution contact are offered: A = CPVC/viton, B = polypropylene/EPR, and C = PVDF/viton. There is no metal to liquid contact, no springs to lose or break, no crushed tubes, no liquid bypass, and no external frame rods employed.



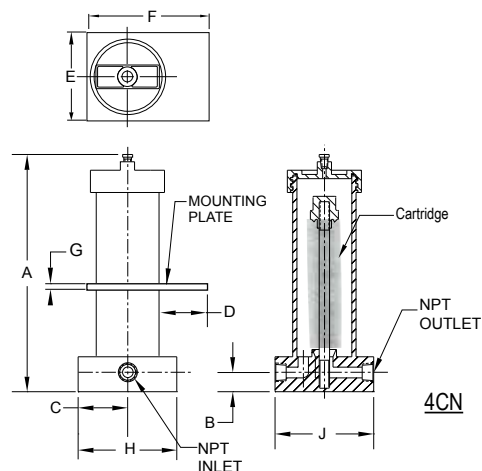
Model 3CN-1A



| Series CN- Specifications | | | | | Series CN-In Tank Filter Chamber Filters-Dimensions | | | | | | | | | |
|---------------------------|---------------------------------|------------------------------------|-------------------|-----|---|---------------------|-----|-------|-------|---|---|-----|-------|-------------|
| Chamber Style | GPH based on 70° Water (String) | No. & Length of Cartridge (String) | Pleated Cartridge | | Connections Inlet/ Outlet NPT | Dimensions (inches) | | | | | | | | Ship. Wght. |
| | | | DOE | SOE | | A | B | C | D | E | F | G | H | |
| 3CN-1 | 150-300 | 1-10" | 1-10" | NA | 3/4" NPT | 14-1/4 | 3/4 | 2-3/8 | 4-3/4 | 5 | 8 | 3/8 | 3-1/4 | 4 |
| 3CN-2 | 300-540 | 1-20" | 1-20" | NA | | 24-1/4 | 3/4 | 2-3/8 | 4-3/4 | 5 | 8 | 3/8 | 3 | 6 |
| 3CN-3 | 450-770 | 1-30" | 1-30" | NA | | 34-1/4 | 3/4 | 2-3/8 | 4-3/4 | 5 | 8 | 3/8 | 3 | 8 |



Model 4CN-1A

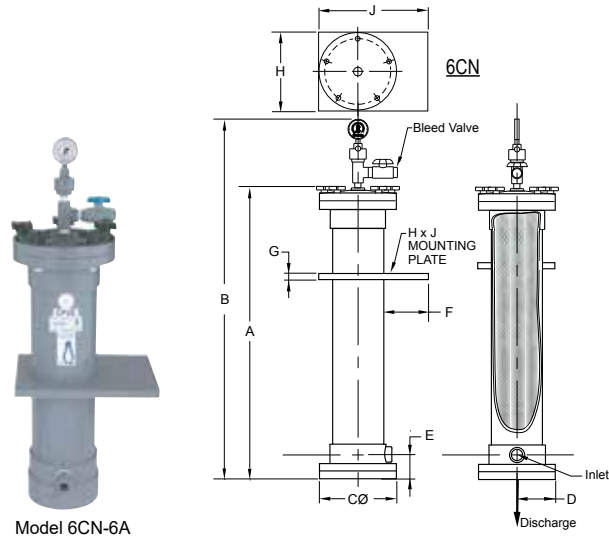


| Series CN - Specifications | | | | | Series CN-In Tank Filter Chamber- Dimensions | | | | | | | | | | |
|----------------------------|---------------------------------|------------------------------------|-------------------|-------|--|---------------------|-------|-------|-------|---|----|-----|---|-------------|----|
| Chamber Style | GPH based on 70° Water (String) | No. & Length of Cartridge (String) | Pleated Cartridge | | Connections Inlet/ Outlet- NPT | Dimensions (inches) | | | | | | | | Ship. Wght. | |
| | | | DOE | SOE | | A | B | C | D | E | F | G | H | | J |
| 4CN-1 | 150-300 | 1-10" | 1-10" | 1-10" | 1" | 18-1/4 | 1 3/8 | 3 1/2 | 4-3/8 | 6 | 10 | 3/4 | 7 | 7 | 7 |
| 4CN-2 | 300-570 | 1-20" | 1-20" | 1-20" | 1" | 28-1/4 | 1 3/8 | 3 1/2 | 4-3/8 | 6 | 10 | 3/4 | 7 | 7 | 10 |
| 4CN-3 | 450-810 | 1-30" | 1-30" | 1-30" | 1" | 38-1/4 | 1 3/8 | 3 1/2 | 4-3/8 | 6 | 10 | 3/4 | 7 | 7 | 13 |

Series CN

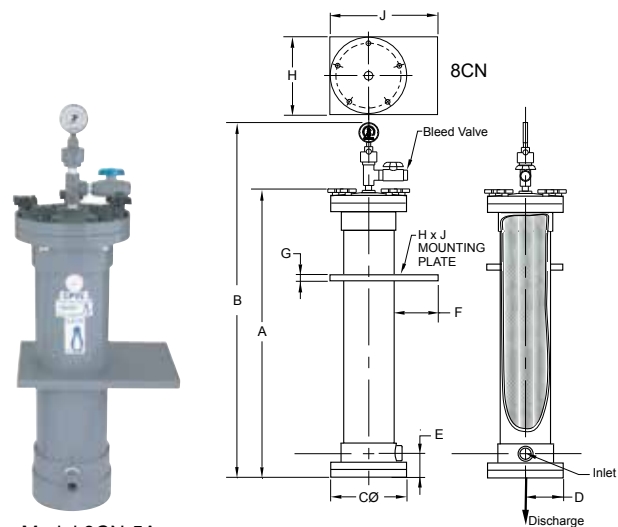
In-Tank Filter Chambers

The Penguin model 6CN / 8CN in-tank chambers incorporate our standard features at the top of the chamber with a schedule 80, 6" half coupling securing everything at the bottom. Three standard materials of construction where in direct solution contact are offered: A = CPVC/viton, B = polypropylene/EPR, and C = PVDF/viton. There is no metal to liquid contact, no springs to lose or break, no crushed tubes, no liquid bypass, and no external frame rods employed. Out of tank option is available when stainless steel or Titanium hardware is requested. In tank use for corrosive material made only in CPVC.



Model 6CN-6A

| Series CN - Specifications | | | | | Series CN-In Tank Filter Chamber- Dimensions | | | | | | | | | | | |
|----------------------------|---------------------------------|------------------------------------|-------------------|-------|--|---------------------|--------|----|---|--------|---|-----|----|----|----|-------------|
| Chamber Style | GPH based on 70° Water (String) | No. & Length of Cartridge (String) | Pleated Cartridge | | Connections | Dimensions (inches) | | | | | | | | | | Ship. Wght. |
| | | | DOE | SOE | Inlet /Outlet-NPT | A | B | C | D | E | F | G | H | J | | |
| 6CN-3 | 450-900 | 3-10" | 3-10" | 2-10" | 1" | 18-3/16 | 28-3/4 | 10 | 5 | 3-3/16 | - | 3/4 | 10 | 14 | 27 | |
| 6CN-6 | 900-1620 | 3-20" | 3-20" | 2-20" | 1" | 28-3/16 | 38-3/4 | 10 | 5 | 3-3/16 | - | 3/4 | 10 | 14 | 36 | |
| 6CN-9 | 1350-2160 | 3-30" | 3-30" | 2-30" | 1" | 38-3/16 | 48-3/4 | 10 | 5 | 3-3/16 | - | 3/4 | 10 | 14 | 45 | |
| 6CN-12 | | 3-40" | 3-40" | 2-40" | 1" | 48-3/16 | 58-3/4 | 10 | 5 | 3-3/16 | - | 3/4 | 10 | 14 | 54 | |



Model 8CN-5A

| Series CN - Specifications | | | | | Series CN-In Tank Filter Chamber- Dimensions | | | | | | | | | | | |
|----------------------------|---------------------------------|------------------------------------|-------------------|-------|--|---------------------|--------|----|---|-------|---|-----|---|---|----|-------------|
| Chamber Style | GPH based on 70° Water (String) | No. & Length of Cartridge (String) | Pleated Cartridge | | Connections | Dimensions (inches) | | | | | | | | | | Ship. Wght. |
| | | | DOE | SOE | Inlet /Outlet-NPT | A | B | C | D | E | F | G | H | J | | |
| 8CN-5 | 750-1500 | 5-10" | 5-10" | 4-10" | 1 1/2" * | 20-5/16 | 29-3/4 | 12 | 6 | 4-3/8 | - | 3/4 | | | 33 | |
| 8CN-10 | 1500-2700 | 5-20" | 5-20" | 4-20" | 1 1/2" * | 30-5/16 | 39-3/4 | 12 | 6 | 4-3/8 | - | 3/4 | | | 45 | |
| 8CN-15 | 2250-3600 | 5-30" | 5-30" | 4-30" | 1 1/2" * | 40-5/16 | 49-3/4 | 12 | 6 | 4-3/8 | - | 3/4 | | | 57 | |
| 8CN-20 | 3000-4800 | 5-40" | 5-40" | 4-40" | 1 1/2" * | 50-5/16 | 59-3/4 | 12 | 6 | 4-3/8 | - | 3/4 | | | 69 | |