

# PENGUIN

Installation & Maintenance

## FILTER BAG SYSTEMS SERIES BF

### MODELS

BF-P50

BF-P100



### INTRODUCTION

Penguin bag filtration systems are designed for electroless nickel or any other solution which requires rapid turnover for tanks to 250 gallons. This system does not restrict the flow as in standard depth filtration systems. Constructed of CPVC and polypropylene in contact with the solution being pumped. Series BF is designed to handle a large range of chemicals without difficulty. Series BF systems are easy to install and operate and are virtually maintenance free. All systems have been tested for proper operation before leaving the factory.

### INSTALLATION

Series BF filter systems must be mounted vertically with the vent port above solution level. The base should be securely fastened to the tank lip with all components confined to the tank. Note: As the filter bag accumulates solids the apparatus can become heavier.

Model:	BF-P50	BF-P50L	BF-P100
ID:	1"	1"	1-1/2"

### OPERATIONS

Each BF filter system comes equipped with one initial 10 micron filter bag unless a specific micron size has been previously selected. Bag lengths and diameters are as follows:

Model	Diameter	Length
BF-P50	5.25"	20"
BF-P100	7"	16"

Additional filter bags in various micron ratings are available. Consult the factory for stock items.

There is no set timetable for filter bag replacement. The frequency of bag replacement varies based on type of solution, if continuous operation, filter bag micron porosity as well as particle size and distribution. A visual inspection is normally satisfactory.

#### **BYPASS**

A bypass valve is included in the BF filter system. By closing the flow valve and opening the bypass valve, this system can be used for transferring.

# PENGUIN

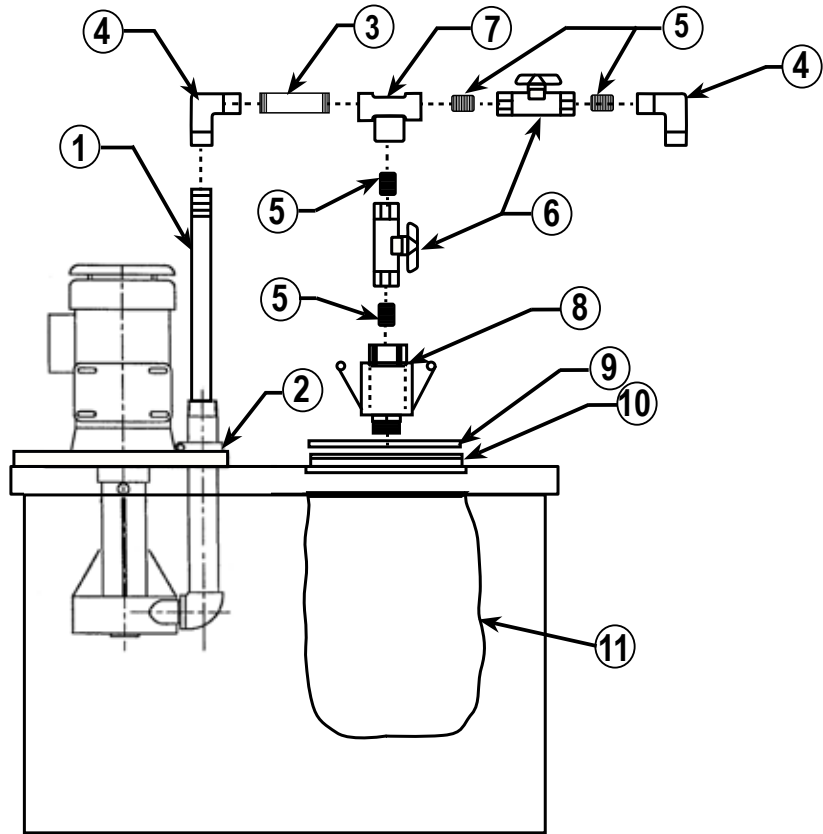
## Installation & Maintenance

### DISASSEMBLY

1. Close the flow control valve.
2. Remove the filter bag by pushing up on the side latches of the quick disconnect.
3. Remove the filter bag from the adaptor plate. The filter bag can be cleaned or replaced.

### ASSEMBLY

1. Replace the cleaned or new filter bag by snapping the internal ring into adaptor plate.
2. Replace bottom half of quick disconnect into matching top and push down on the side latches.
3. Open flow control valve.



### BF FILTER SYSTEM SPARE PARTS LIST

Item	Description	BF-P50	BF-P50-EN	BF-P100	BF-P100-EN
1	Pump Discharge Piping, CPVC	BF-50-01A	BF-50-01A	BF-100-01A	BF-100-01A
2	Support Ring, CPVC w/Gear Clamp	BF-50-02A	BF-50-02A	BF-100-02A	BF-100-02A
3	Flow Nipple, CPVC	BF-50-03A	BF-50-03A	BF-100-03A	BF-100-03A
4	Elbow, 90, CPVC	BF-50-04A(2)	BF-50-04A(2)	BF-100-04A(2)	BF-100-04A(2)
5	Flow Control Valve Connecting Nipple, CPVC	BF-50-05A(4)	BF-50-05A(4)	BF-100-05A(4)	BF-100-05A(4)
6	Flow Control Valve, CPVC	BF-50-06A(2)	BF-50-06A(2)	BF-100-06A(2)	BF-100-06A(2)
7	Tee, CPVC	BF-50-07A	BF-50-07A	BF-100-07A	BF-100-07A
8	Quick Disconnect, Polypro	BF-50-08B	BF-50-08B	BF-100-08B	BF-100-08B
9	Adaptor Head, Polypropylene	BF-50-13B	BF-50-13B	BF-100-13B	BF-100-13B
10	Split Ring, CPVC	CB-600-04A	CB-600-04A	CB-800-04A	CB-800-04A
11	Filter Bag, Polypropylene, *** Micron	PB-5-***D	PB-5-***D	PB-7-***D	PB-7-***D
12	Filter Bag Filtration Ass'y (1 thru 11)	BF-50-12	BF-50-12	BF-100-12	BF-100-12

\*\*\* 01, 05, 10, 25, 50, or 100

SS Ring - Optional

Note: 1. Refer to P SERIES SPARE PARTS BULLETIN for pump spare parts.

2. EN (Electroless Nickel) Filter Bag System, the pump employs a PVDF Impeller and Viton O'ring.