

Penguin Pendorator Systems

Eductors utilize a unique venturi design which enables smaller pumps to circulate larger volumes of tank solution. The eductor can circulate four to five gallons of solution for each gallon pumped.



Features:

- Available as systems with pumps, kits, or Pendorators™ sold separately.
- Deluxe model includes adjustable nozzles.
- Non-metallic contact with solution.
- Perfect for large tank usage.
- Induces four extra gallons of flow for every gallon pumped through nozzle.
- Used to enhance circulation in a wide variety of recirculating process tanks.

Ideal for:

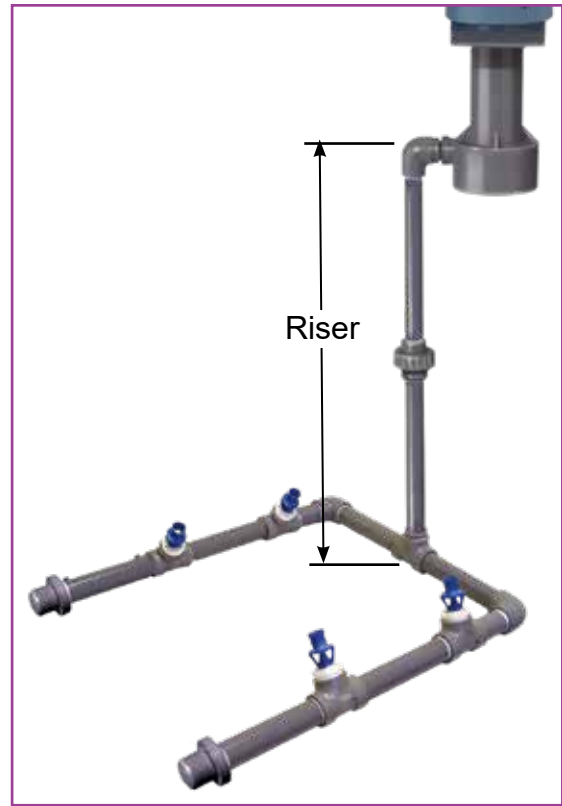
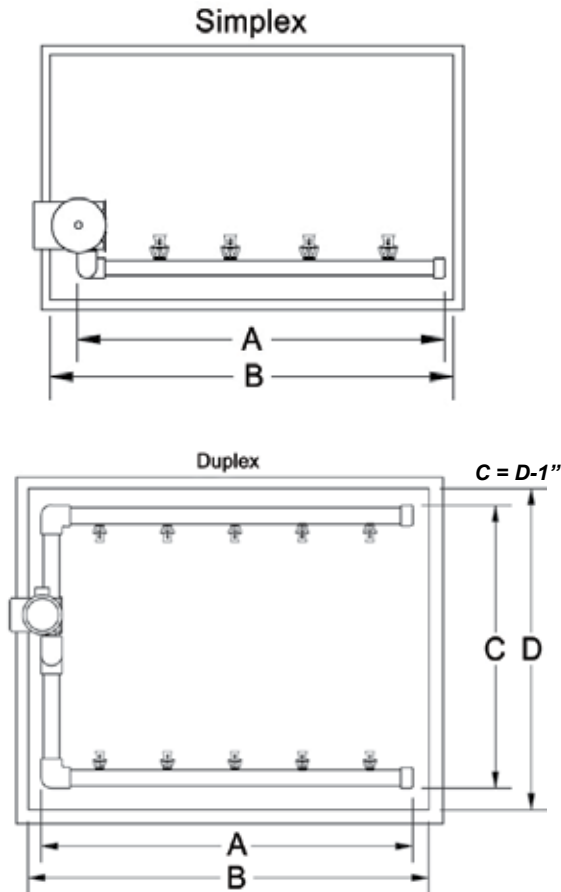
- Vigorous and constant agitation.
- Dispersing and mixing chemicals more uniformly.
- Eliminating hot spots/temperature stratification.
- "Sweeping" debris or sludge toward a filter intake.
- Keeping solids in suspension.
- Mixing immiscible liquids.
- Allowing for increased density causing faster plating rates.
- Eliminating aeration and gas pitting problems.
- Creating more uniform plating distribution.
- Permitting considerable improvements in plating throw and deposit in blind holes and recesses.

Recommended Applications:

- Eductors are currently installed in the following types of re-circulating process tanks:
 - Cleaners
 - E-coat paints and paint strippers
 - Chemicals, fertilizers, caustics, and permanganates
 - PCB plating sludge
 - Cooling towers
 - Slurries
 - Plating tanks:
 - Chromium
 - Etching
 - Acid Zinc
 - Anodizing
 - Phosphate
 - Gold
 - Phosphate
 - Acid Copper
 - Silver
 - Bright Nickel
 - Tin
 - Alloys
 - Electroless Nickel/Copper

PES System

PES SIMPLEX EDUCTOR SYSTEMS	
PES SIMPLEX EDUCTOR SYSTEMS	Simplex
PES-S-1X30LX48R-A-3	1" Dia. Pipe, 30" length Manifold, 48" Riser, CPVC, 3 eductors
PES-S-1.5X42LX48R-A-4	1.5" Dia. Pipe, 42" length Manifold, 48" Riser, CPVC, 4 eductors
PES-S-2X165LX48R-A-12	2" Dia. Pipe, 165" length Manifold, 48" Riser, CPVC, 12 eductors
PES DUPLEX EDUCTOR SYSTEMS	
PES-D-1X42LX42WX48R-A-8	1" Dia. Pipe, 42" lengthX42" Width Manifold, 48" Riser, CPVC, 8 eductors
PES-D-1.5X64LX64WX48H-A-10	1.5" Dia. Pipe, 64" lengthX64" Width Manifold, 48" Riser, CPVC, 10 eductors
PES-D-2X112LX112WX48R-A-16	2" Dia. Pipe, 112" lengthX112" Width Manifold, 48" Riser, CPVC, 16 eductors



SERIES PES PENDUCTOR SYSTEMS NOMENCLAURE

PES	-	S	-	2	-	78L	-	48R	-	A	-	6	
Penguin Eductor Systems		S=Simplex D=Duplex		Pipe Dia. 1=1" 1.5=1 1/2" 2=2"		Length Specify		Width-Duplex Only Specify		Riser Height Specify		Material A=CPVC B=Polypro C=PVDF	# of Eductors Specify

10/20

Bulletin 310D