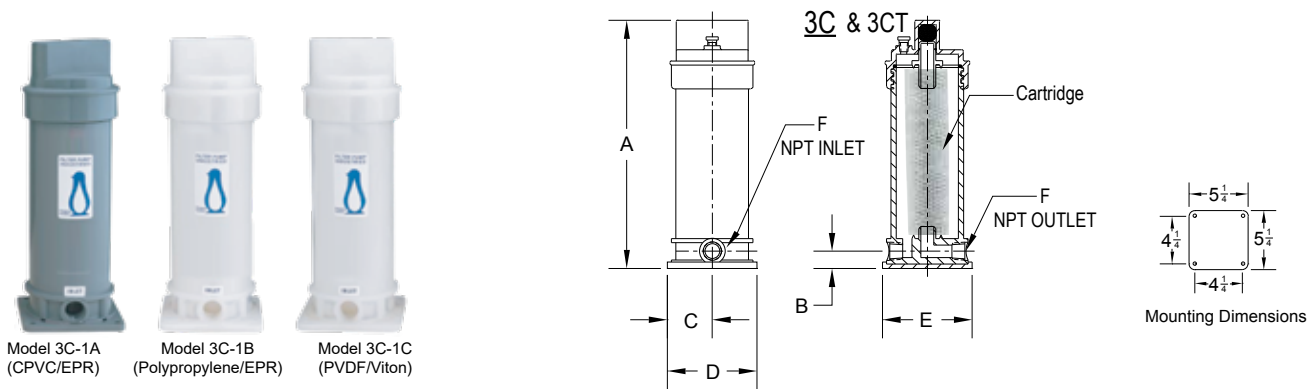
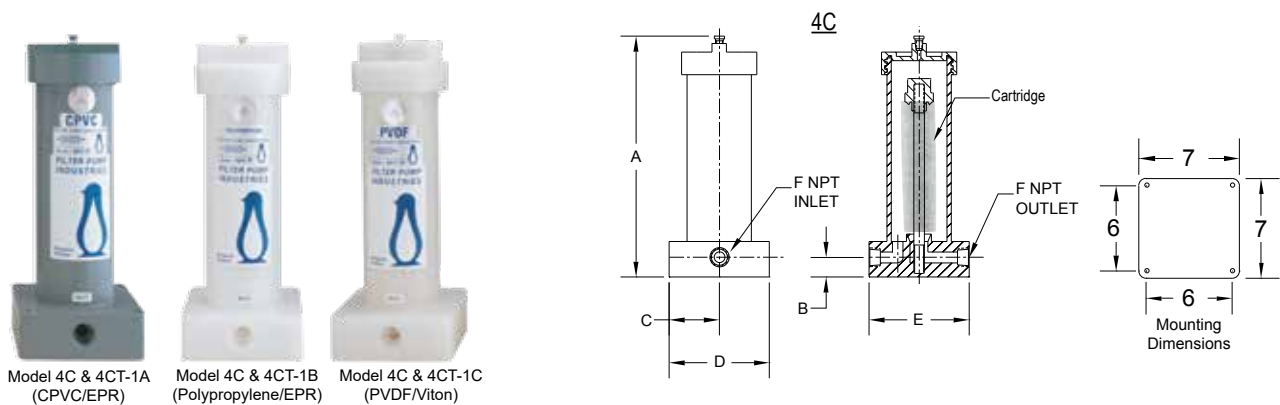


FILTER CHAMBERS SERIES C

Penguin corrosion resistant filter chambers are recommended for a wide range of acidic or alkaline solutions. Three standard materials of construction where in direct solution contact are offered: A = CPVC/ Viton, B = polypropylene/EPR, and C = PVDF/ Viton. There is no metal to liquid contact, no springs to lose or break, no crushed tubes, no liquid bypass, and no external frame rods employed. Models 6C, 8C, and 12C chambers incorporate ribbed interchangeable tops and bottoms, double labyrinth o-ring sealing, and ribbed, long-sleeved flanges attached to the chamber shell, allowing for proper operation at elevated temperatures and pressures.



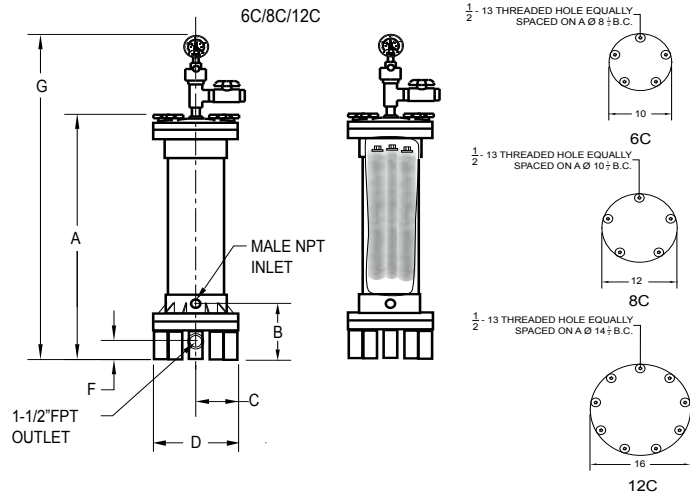
Series C - Specifications						Series C - Dimensions					
Chamber Style	GPH based on 70° Water (String)	No. & Length of Cartridge (String/Carbon)	Pleated Cartridge*		Connections Inlet/Outlet NPT	Dimensions (inches)					Ship. Wght.
			DOE	SOE		A	B	C	D	E	
3C-6	0-160	1-6"	1-6"	N/A	3/4"	10-1/2	1	2-5/8	5-1/4	5-1/4	3
3C-1	150-300	1-10"	1-10"	N/A	3/4"	14-1/2	1	2-5/8	5-1/4	5-1/4	4
3C-2	300-540	1-20"	1-20"	N/A	3/4"	24-1/2	1	2-5/8	5-1/4	5-1/4	6
3C-3	450-720	1-30"	1-30"	N/A	3/4"	34-1/2	1	2-5/8	5-1/4	5-1/4	8



Series C - Specifications						Series C - Dimensions					
Chamber Style	GPH based on 70° Water (String)	No. & Length of Cartridge (String/Carbon)	Pleated Cartridge*		Connections Inlet/Outlet NPT	Dimensions (inches)					Ship. Wght.
			DOE	SOE		A	B	C	D	E	
4C-1	150-300	1-10"	1-10"	1-10"	1"	18-1/4	1-3/8	3-1/2	7	7	7
4C-2	300-570	1-20"	1-20"	1-20"	1"	28-1/4	1-3/8	3-1/2	7	7	10
4C-3	450-810	1-30"	1-30"	1-30"	1"	38-1/4	1-3/8	3-1/2	7	7	13

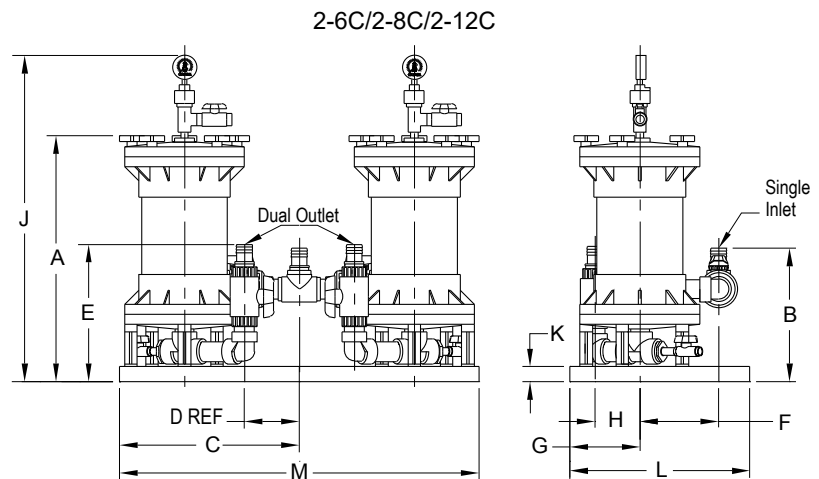
Series C

Single Cartridge Chambers



Series C - Specifications					Series C - Dimensions									
Chamber Style	GPH based on 70° Water (String)	No. & Length of Cartridge (String)	Pleated Cartridge*		Connections		Dimensions (inches)							Ship. Wght.
			DOE	SOE	Inlet NPT	Outlet NPT	A	B	C	D	E	F	G	
6C-3	450-900	3-10"	3-10"	2-10"	1"	1"	22-1/2	7-3/4	5	10	N/A	NA	32	27
6C-6	900-1620	3-20"	3-20"	2-20"	1"	1"	32-1/2	7-3/4	5	10	N/A	NA	42	36
6C-9	1350-2160	3-30"	3-30"	2-30"	1"	1"	42-1/2	7-3/4	5	10	N/A	NA	52	45
6C-12		3-40"	3-40"	2-40"	1"	1"	52-1/2	7-3/4	5	10	N/A	NA	62	54
8C-5	750-1500	5-10"	5-10"	4-10"	1-1/2" *	1-1/2" *	23	8-1/8	6	12	N/A	NA	32-1/2	33
8C-10	1500-2700	5-20"	5-20"	4-20"	1-1/2" *	1-1/2" *	33	8-1/8	6	12	N/A	NA	42-1/2	45
8C-15	2250-3600	5-30"	5-30"	4-30"	1-1/2" *	1-1/2" *	43	8-1/8	6	12	N/A	NA	52-1/2	57
8C-20	3000-4800	5-40"	5-40"	4-40"	1-1/2" *	1-1/2" *	53	8-1/8	6	12	N/A	NA	62-1/2	69
12C-12	1800-3600	12-10"	12-10"	9-10"	1-1/2" *	1-1/2" *	24-3/8	10	8	16	N/A	3-1/2	33-7/8	70
12C-24	3600-5760	12-20"	12-20"	9-20"	1-1/2" *	1-1/2" *	34-3/8	10	8	16	N/A	3-1/2	43-7/8	90
12C-36	5400-7560	12-30"	12-30"	9-30"	1-1/2" *	1-1/2" *	44-3/8	10	8	16	N/A	3-1/2	53-7/8	110
12C-48	7200-8640	12-40"	12-40"	9-40"	1-1/2" *	1-1/2" *	54-3/8	10	8	16	N/A	3-1/2	63-7/8	130

Dual Cartridge Chambers



Series C - (Dual) Specifications					Series C - (Dual) Dimensions														
Chamber Style	GPH based on 70° Water (String)	No. & Length of Cartridge Wound Cartridge	Pleated Cartridge*		Connections		Dimensions (inches)											Ship. Wght.	
			DOE	SOE	Inlet	Outlet	A	B	C	D	E	F	G	H	J	K	L		M
2-6C-6	1350-2430	6-20"	6-20"	4-20"	1-1/2"NPT	(2)1"NPT	34	13-1/4	18	5-1/2	12-7/8	7 1/4	5-1/2	5	40-7/8	1-1/2	18	36	90
2-6C-9	32025-3240	6-30"	6-30"	4-30"	1-1/2"NPT	(2)1"NPT	44	13-1/4	18	5-1/2	12-7/8	7 1/4	5-1/2	5	50-7/8	1-1/2	18	36	110
2-8C-10	42250-4050	10-20"	10-20"	8-20"	2"NPT	(2)1-1/2"NPT	34-1/2	13-1/2	20	5-1/2	13-3/4	7 7/8	6-1/2	5	42-1/2	1-1/2	20	40	130
2-8C-15	3375-5400	10-30"	10-30"	8-30"	2"NPT	(2)1-1/2"NPT	44-1/2	13-1/2	20	5-1/2	13-3/4	7 7/8	6-1/2	5	52-1/2	1-1/2	20	40	144
2-12C-24	5400-8640	24-20"	24-20"	18-20"	3"NPT	(2)1-1/2"NPT	35-7/8	13-1/2	20	5-1/2	13-3/4	7 7/8	8-1/2	5	42-1/4	1-1/2	24	40	210
2-12C-36	8100-11340	24-30"	24-30"	18-30"	3"NPT	(2)1-1/2"NPT	45-7/8	13-1/2	20	5-1/2	13-3/4	7 7/8	8-1/2	5	52-1/4	1-1/2	24	40	250