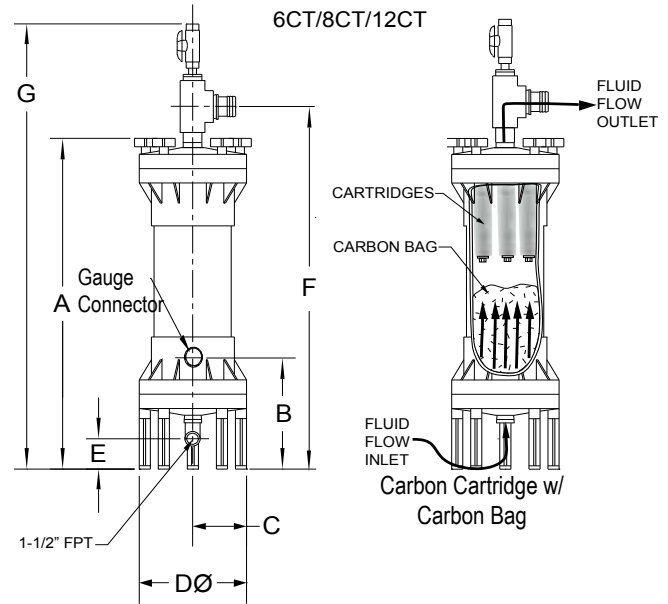


## Carbon Treatment Chambers SERIES CT

Penguin carbon treatment chambers can handle an extensive range of chemicals without difficulty. Available in CPVC/EPR, Polypro/ERP, and PVDF/Viton depending on the solution being carbon treated. There are no fragile lucite or glass, springs, or metal contact with liquid. Because of the unique design with the long-sleeved flanges attached to the chamber shell, these chambers can function as filter chambers as well as carbon treaters. When requested each 6CT/8CT/12CT carbon treating chamber comes with a CPVC/PVC flow plate, a polypropylene mesh carbon bag, and short filter rods with an initial set of 3-micron filter tubes. CT dual treatment chambers are available for larger volume applications and when requested mounted on a platform with wheels.



Series CT Specifications					Series CT Dimensions								
Model	GPH (70° Water)	Cartridge Option	Carbon Cartridge w/ Carbon Bag Option		Connections Inlet /Outlet NPT	Dimensions (inches)							Shipping Weight
		Qty-Lgth	Cartridges Qty-Lgth	Bulk Carbon Weight lbs.		A	B	C	D	E	F	G	
6CT-3	280-450	3-10"	NA	NA	1"	22	3 3/8	5	10	N/A	22 3/4	28 1/2	27
6CT-6	300-540	3-10"	3-6"	5	1"	32	3 3/8	5	10	N/A	32 3/4	38 1/2	36
6CT-9	450-720	3-10"	3-10"	10	1"	42	3 3/8	5	10	N/A	42 3/4	48 1/2	45
6CT-12		3-10"	3-10"	15	1"	52	3 3/8	5	10	N/A	52 3/4	58 1/2	54



Series CT Specifications					Series CT Dimensions								
Model	GPH (70° Water)	Cartridge Option	Carbon Cartridge w/ Carbon Bag Option		Connections Inlet /Outlet NPT	Dimensions (inches)							Shipping Weight
		Qty-Lgth	Cartridges Qty-Lgth	Bulk Carbon Weight lbs.		A	B	C	D	E	F	G	
8CT-5	300-750	5-10"	NA	NA	1 1/2"	23 1/8	2 3/8	6	12	N/A	25	31	33
8CT-10	500-900	5-10"	5-6"	9	1 1/2"	33 1/8	2 3/8	6	12	N/A	35	41	45
8CT-15	750-1200	5-10"	5-10"	18	1 1/2"	43 1/8	2 3/8	6	12	N/A	45	51	57
8CT-20		5-10"	5-10"	25	1 1/2"	53 1/8	2 3/8	6	12	N/A	55	61	69

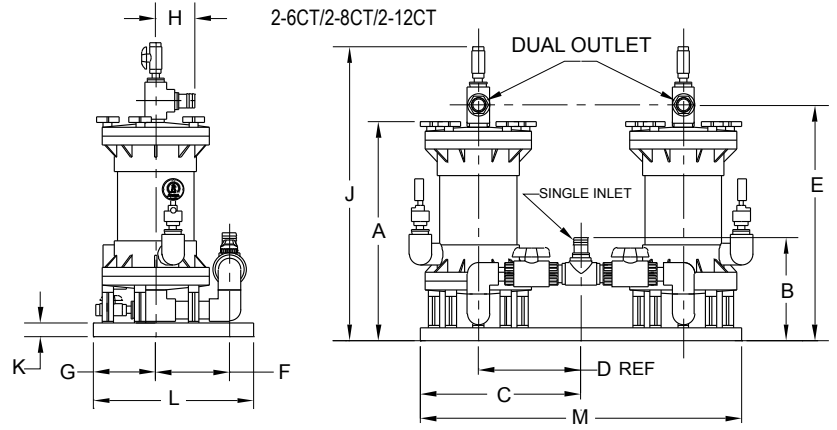


Series CT Specifications					Series CT Dimensions								
Model	GPH (70° Water)	Cartridge Option	Carbon Cartridge w/ Carbon Bag Option		Connections Inlet /Outlet NPT	Dimensions (inches)							Shipping Weight
		Qty-Lgth	Cartridges Qty-Lgth	Bulk Carbon Weight lbs.		A	B	C	D	E	F	G	
12CT-12	720-1800	12-10"	NA	NA	1 1/2"	22 3/4	2 1/4	8	16	N/A	24 3/4	30 3/4	70
12CT-24	1200-1920	12-10"	12-6"	35	1 1/2"	32 3/4	2 1/4	8	16	N/A	34 3/4	40 3/4	90
12CT-36	1800-2520	12-10"	12-10"	50	1 1/2"	42 3/4	2 1/4	8	16	N/A	44 3/4	50 3/4	110
12CT-48		12-10"	12-10"	70	1 1/2"	52 3/4	2 1/4	8	16	N/A	54 3/4	60 3/4	130



# Series CT

## Carbon Treatment Chambers

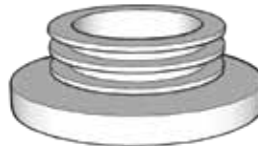


Series CT -Dual Chamber Specifications						Series CT -Dual Chamber Dimensions													
Model	GPH (70° Water)	Carbon Bag Chamber w/Cartridges		Connections		Dimensions (inches)													Shipping Weight
		Qty-Lgth	Carbon Weight	Inlet NPT	Outlet NPT	A	B	C	D	E	F	G	H	J	K	L	M		
2-6CT-6	450-810	6-6"	10lbs.	1-1/2"	2 1"	33 1/2	13 5/8	18	11 1/2	34 1/4	7 3/4	5 1/2	3 3/4	40	1 1/2	18	36	90	
2-6CT-9	675-1080	6-10"	20lbs.	1-1/2"	2 1"	43 1/2	13 5/8	18	11 1/2	44 1/4	7 3/4	5 1/2	3 3/4	50	1 1/2	18	36	110	
2-8CT-10	750-1350	10-6"	18lbs.	2"	2 1-1/2"	34 5/8	14 1/4	20	11 1/2	36 1/2	8 3/4	6 1/2	4 1/2	42 1/2	1 1/2	20	40	130	
2-8CT-15	1125-1800	10-10"	36lbs.	2"	2 1-1/2"	44 5/8	14 1/4	20	11 1/2	46 1/2	8 3/4	6 1/2	4 1/2	52 1/2	1 1/2	20	40	144	
2-12CT-24	1800-2800	24-6"	70lbs.	3"	2 1-1/2"	34 3/8	15 1/8	20	11 1/2	36 1/4	10 3/4	6 1/2	4 1/2	42 1/4	1 1/2	24	40	210	
2-12CT-36	2700-3780	24-10"	100lbs.	3"	2 1-1/2"	44 3/8	15 1/8	20	11 1/2	46 1/4	10 3/4	6 1/2	4 1/2	52 1/4	1 1/2	24	40	250	

### Cap Configuration

Configuration	Description
Single Open End (SOE) Double Open End (DOE)	
DOE	Flat Gasket
SOE-222	External Double 222 O-rings/ button end cap
SOE-226	External Double 226 O-rings/ button end cap

SOE-222



SOE-226

